

DEA srl
 Via Masaccio, 15
 42124 Z.I. Mancasale (RE) ITALY
 Tel. +39 0522 1533038
 Fax +39 0522 1544470
 info@deaworklab.it
 export@deaworklab.it
 www.deaworklab.it

AR-268.11

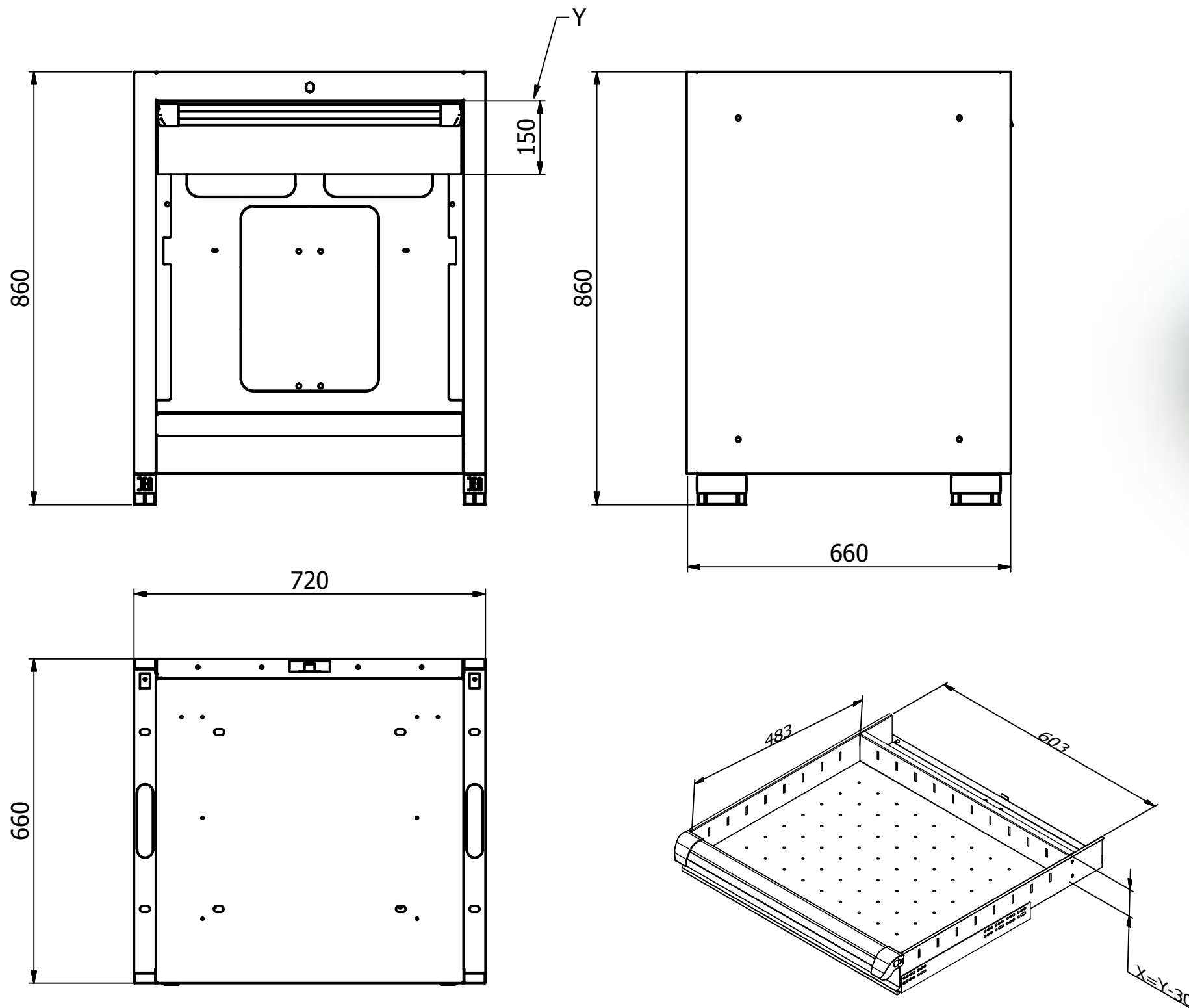


TABELLA	
TYPE OF DRAWER	INTERNAL DIMENSION
150 DRAWER	H120mm - L603mm - D483mm