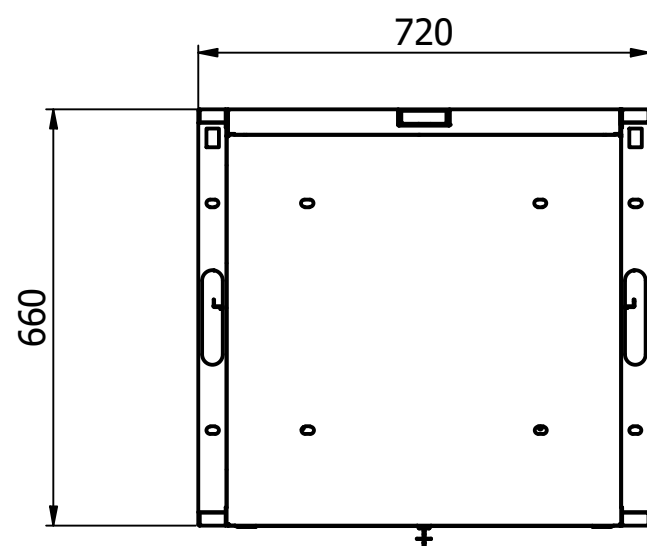
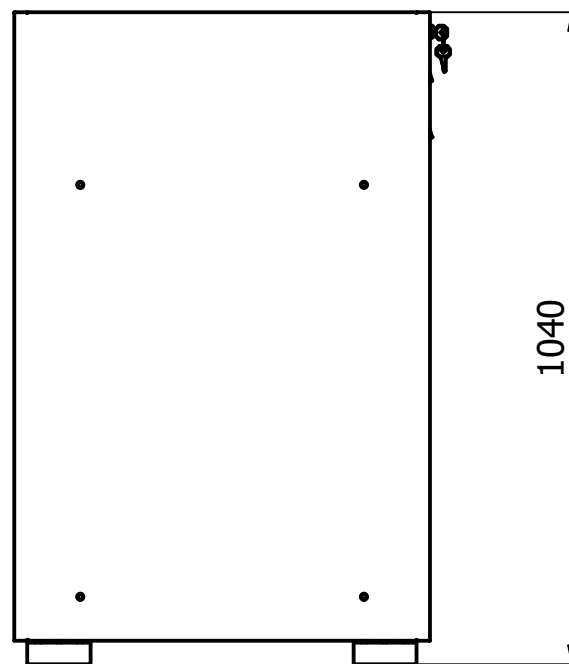
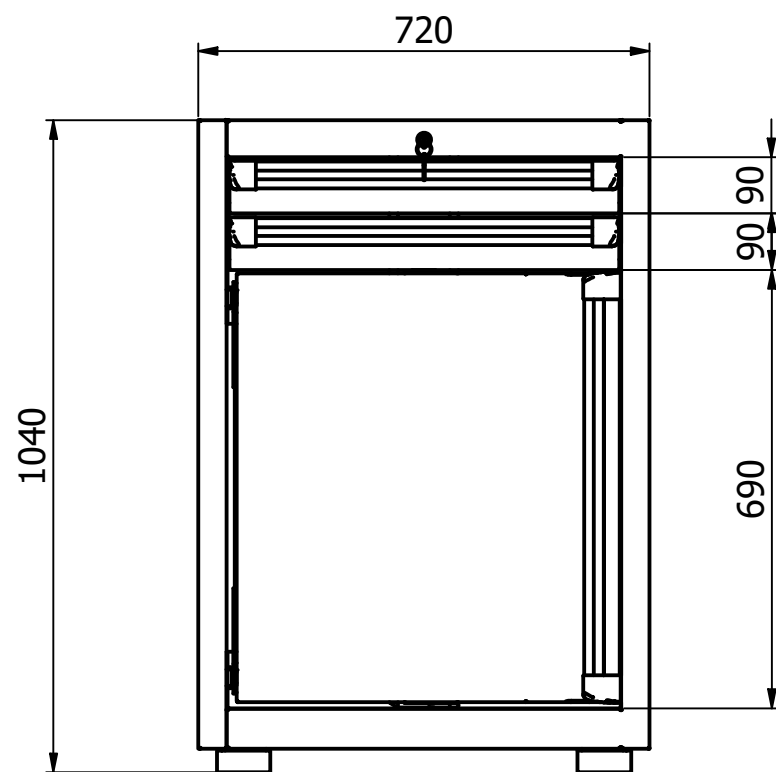


DEA srl  
 Via Masaccio, 15  
 42124 Z.I. Mancasale (RE) ITALY  
 Tel. +39 0522 1533038  
 Fax +39 0522 1544470  
 info@deaworklab.it  
 export@deaworklab.it  
 www.deaworklab.it

# AR-375.10



DRAWER DIMENSION	
TYPE OF DRAWER	INTERNAL DIMENSION
90 DRAWER	H60mm - L603mm - D483mm

2 DRAWERS WITH KEY LOCKING SYSTEM

1 INTERNAL SHELF

DOOR WITHOUT KEY LOCKING SYSTEM

